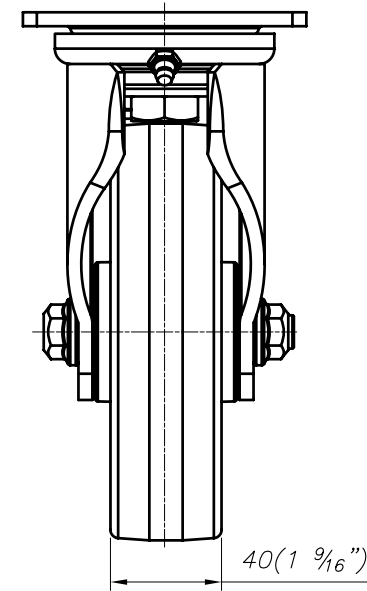
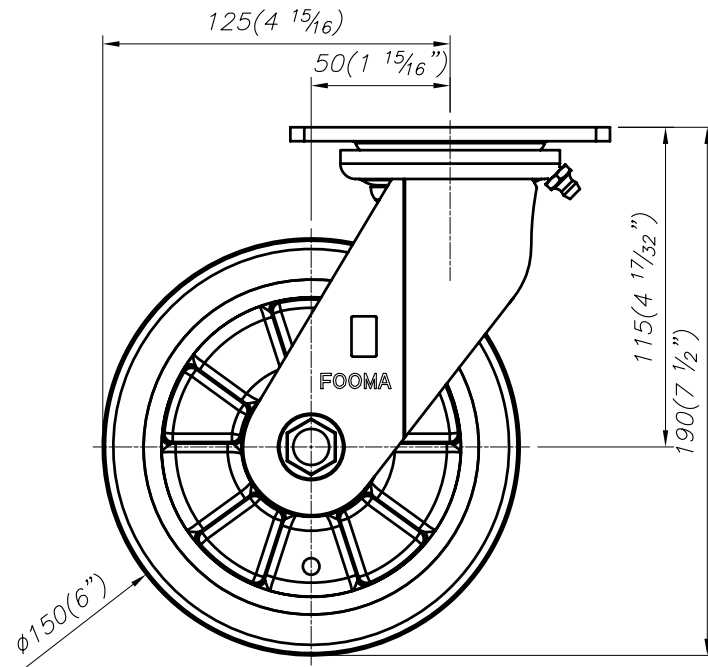


4- $\phi 11(7/16)$ SLOT HOLES
FOR M10 BOLT



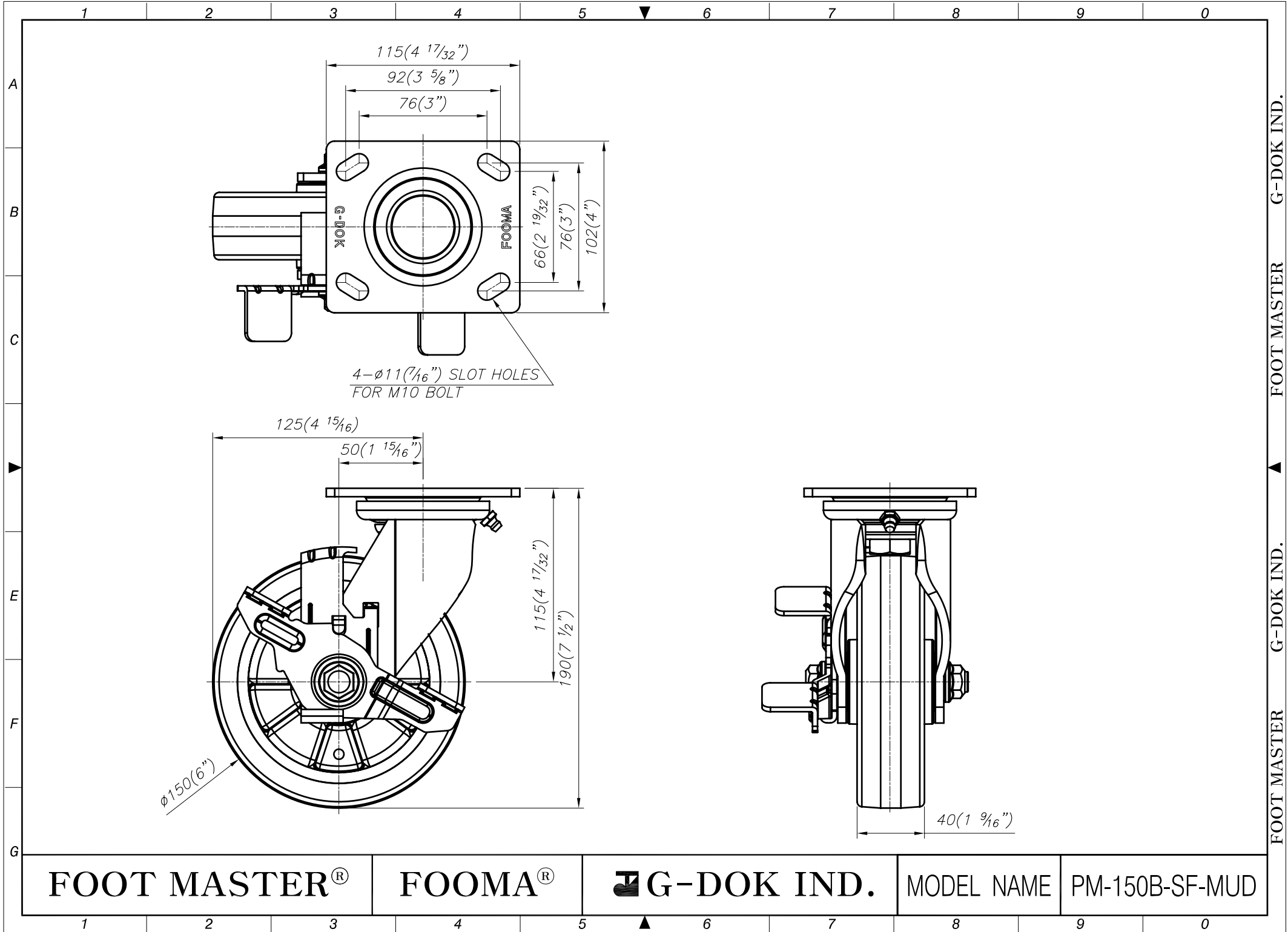
FOOT MASTER®

FOOMA®

G-DOK IND.

MODEL NAME

PM-150A-SF-MUD



FOOT MASTER®

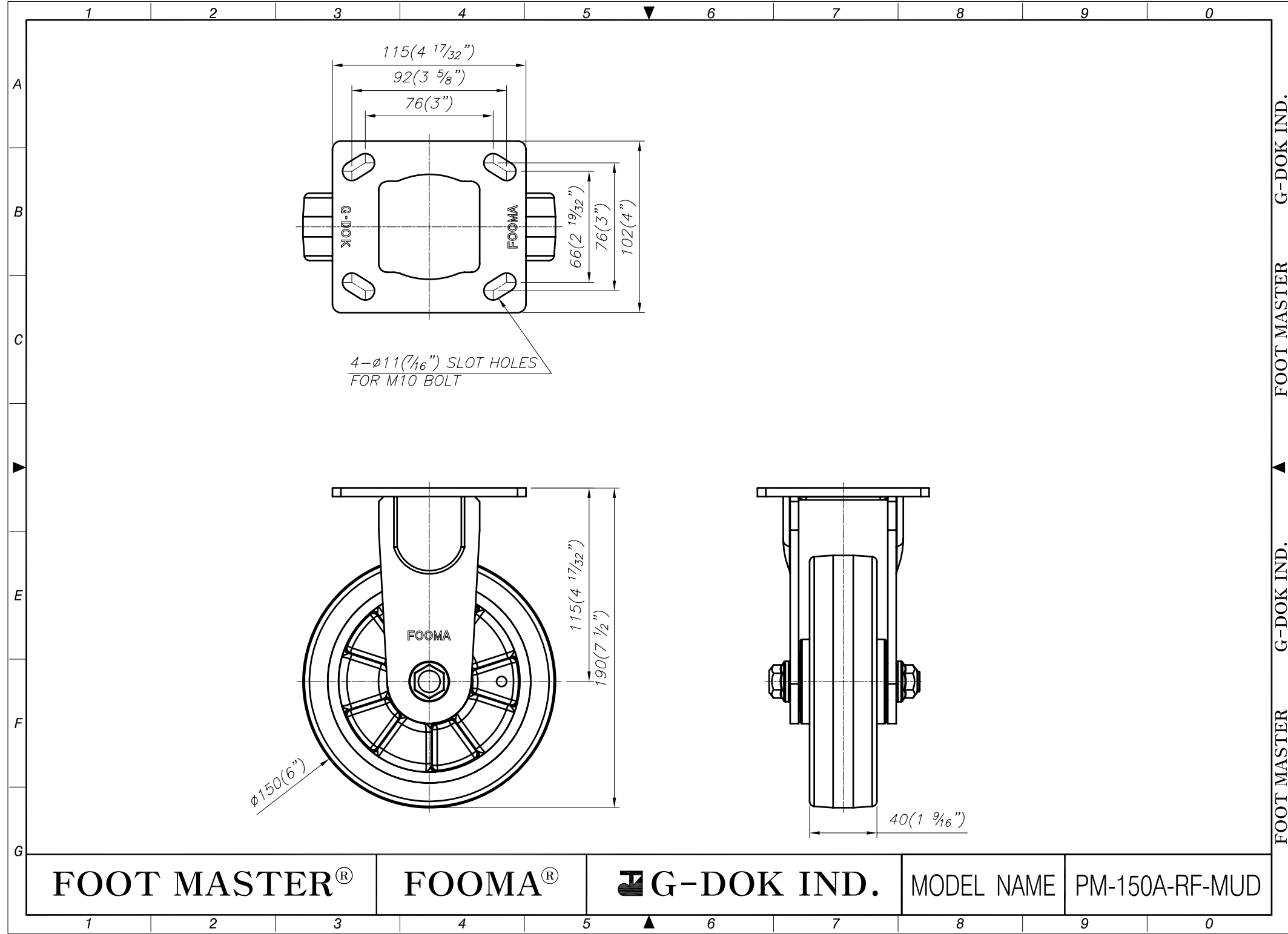
FOOMA®

G-DOK IND.

MODEL NAME

PM-150B-SF-MUD

FOOT MASTER G-DOK IND. FOOT MASTER G-DOK IND.



FOOT MASTER®

FOOMA®

G-DOK IND.

MODEL NAME

PM-150A-RF-MUD

FOOT MASTER G-DOK IND. FOOT MASTER G-DOK IND. FOOT MASTER G-DOK IND.