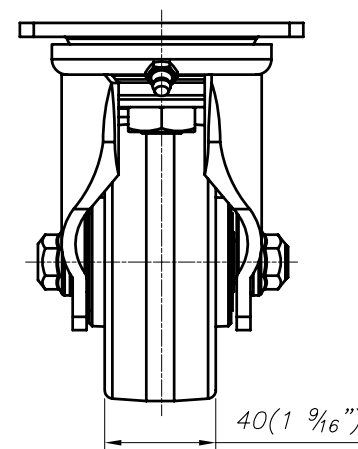
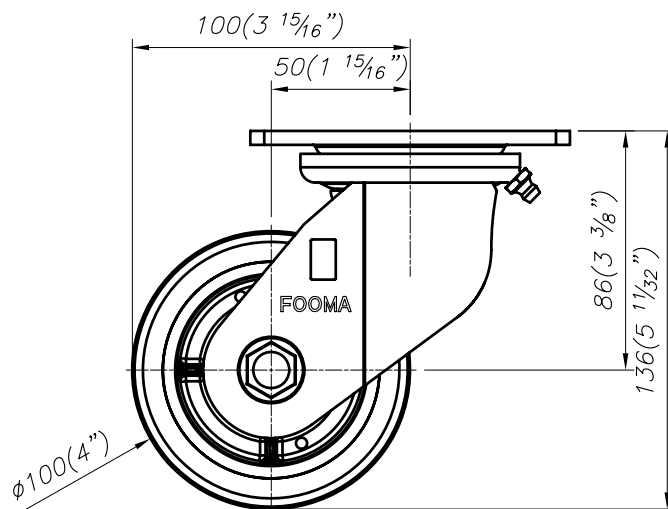


4- $\phi 11(7/16)$ SLOT HOLES
FOR M10 BOLT



FOOT MASTER[®]

FOOMA[®]

G-DOK IND.

MODEL NAME

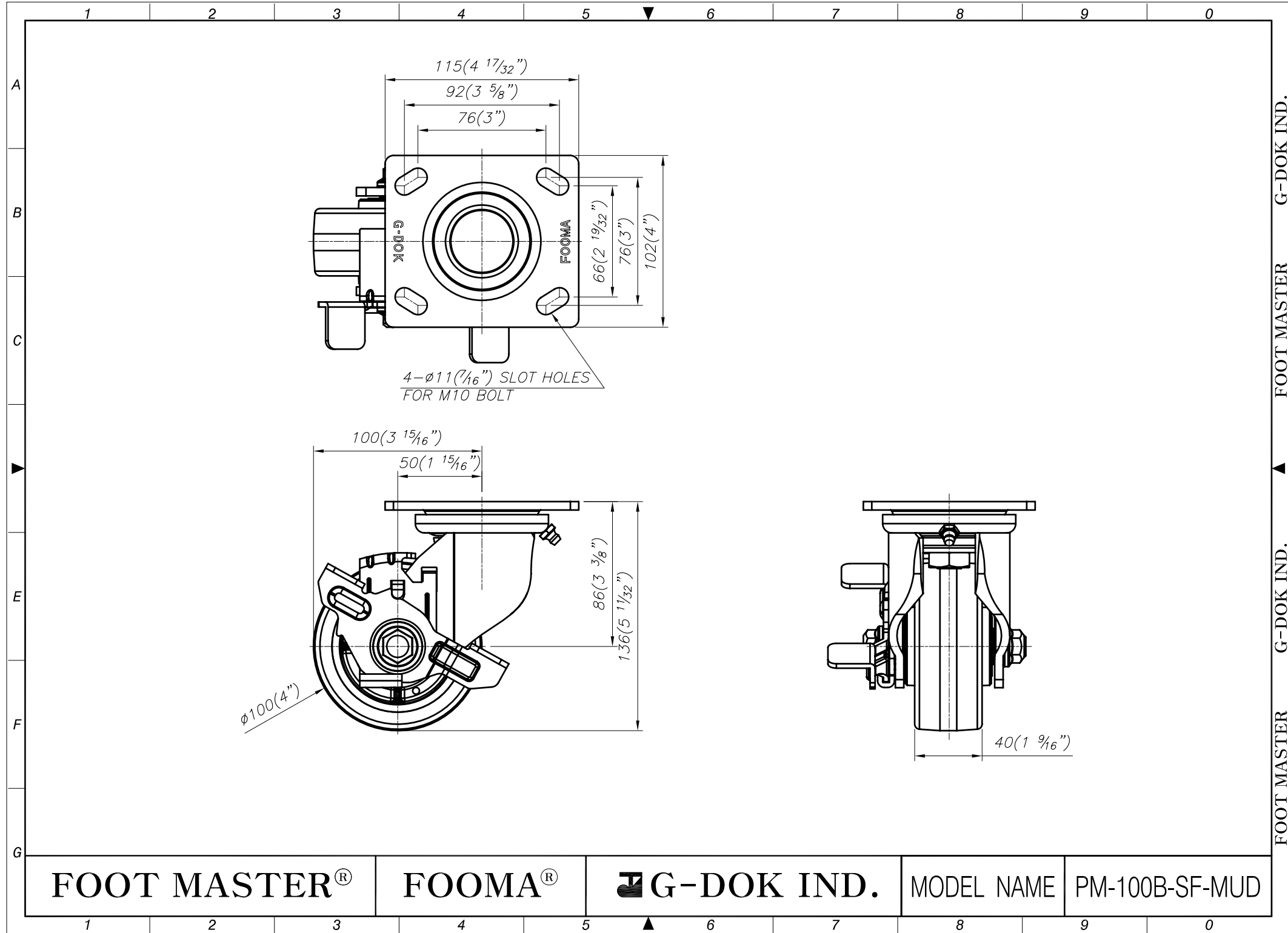
PM-100A-SF-MUD

G-DOK IND.

FOOT MASTER

G-DOK IND.

FOOT MASTER



FOOT MASTER®

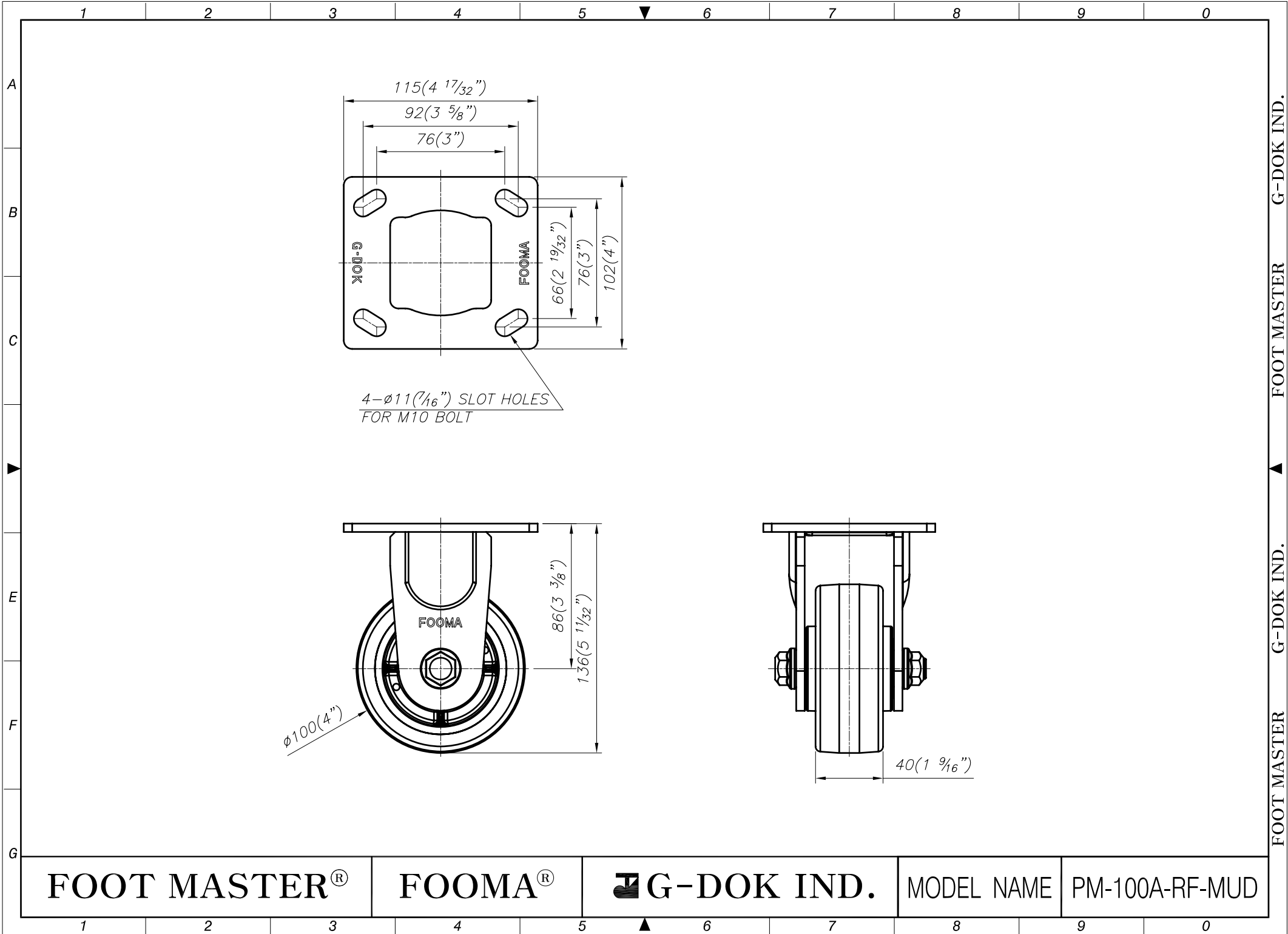
FOOMA®

G-DOK IND.

MODEL NAME

PM-100B-SF-MUD

FOOT MASTER G-DOK IND. FOOT MASTER G-DOK IND.



FOOT MASTER®

FOOMA®

G-DOK IND.

MODEL NAME

PM-100A-RF-MUD

G-DOK IND.

FOOT MASTER

G-DOK IND.

FOOT MASTER